

**ACCESSORIES
FOR MACHINE
TOOLS**



BOTECO[®]
ALL PURPOSE HANDGRIPS

ART. T480

ROUND TUBE INSERT

MATERIAL:

Round head with round ribbed insert in Polyethylene (LDPE).

SURFACE:

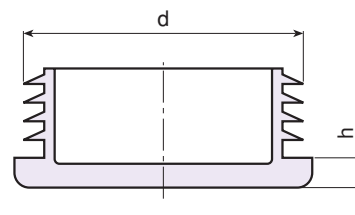
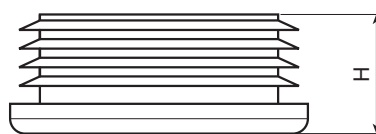
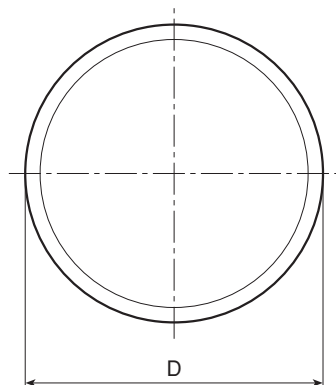
Satin.

COLOUR:

Black (RAL 9011).

SPECIAL REQUESTS:

- None.



Art.	D	H	h	d - Tube thickness (min - max)	Weight (gr)
T480010.D01	10	15	3,5	1-2	0,5
T480012.D01	12	15	3,5	1-2	0,5
T480013.D01	13	15	4,5	1-2	0,5
T480014.D01	14	17	5	1-2	1
T480015.D01	15	16	5	1-2	1
T480016.D01	16	17	5	1-2	1,5
T480018.D01	18	17	5	1-2,5	1,5
T480019.D01	19	17	5	1-2,5	1,8
T480020.D01	20	17	5	1-2,5	2
T480022.D01	22	17	5	1-3	2
T480023.D01	23	17	5	1-2,5	2,5
T480024.D01	24	17	5	1-2,5	2,5
T480025.D01	25	17	5	1-3	2,5
T480026.D01	26	17	5	1-3	3
T480027.D01	27	17	5	1-3	3
T480028.D01	28	17	5	1-2,5	3
T480030.D01	30	17	5	1-2,5	4
T480032.D01	32	17	5	1-2,5	3,5
T480034.D01	34	17	5	1-3	5
T480035.D01	35	17	5	1-3	4,5
T480036.D01	36	17	5	1-3	4,5

Art.	D	H	h	d - Tube thickness (min - max)	Weight (gr)
T480037.D01	37	17	5	1-3	5
T480038.D01	38	17	5	1-3,5	5,5
T480040.D01	40	17	5	1-3	5,5
T480042.D01	42	17	5	1-2,5	7
T480043.D01	43	17	5	2-2,5	7
T480045.D01	45	17	5	1-3,5	7
T480046.D01	46	17	5	1-3,5	7,5
T480048.D01	48	17	5	1-3,5	7,8
T480050.D01	50	17	5	1-2,5	8
T480052.D01	52	19	5	1,5-3,5	9,5
T480055.D01	55	17	5	1-3	9,5
T480060.D01	60	24	5	1,5-3	16,5
T480065.D01	65	25	5	1,5-3,5	18,5
T480070.D01	70	25	5	1,5-4,5	25
T480075.D01	75	27	6	1-3,5	24
T480080.D01	80	25	4	1,5-3	32,5
T480085.D01	85	27	6	1,5-4	28
T480090.D01	90	26	6	2,5-5	34
T480095.D01	95	27	6	1-4	34,5
T480100.D01	100	35	6	2-4,5	43



BOTECA

ART. T482

RECTANGULAR TUBE INSERT

MATERIAL:

Rectangular head with ribbed insert in Polyethylene (LDPE).

SURFACE:

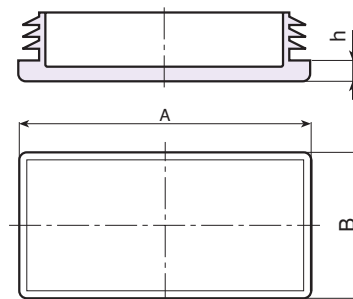
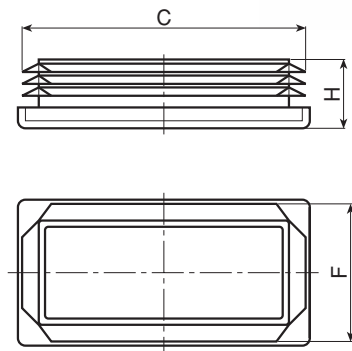
Satin.

COLOUR:

Black (RAL 9011).

SPECIAL REQUESTS:

- None.



Art.	AxB	H	h	CxF - Tube thickness (min - max)	Weight (gr)
T482.D20X1001	20x10	14	3	0,8-2	1
T482.D20X1501	20x15	17	5	1-2	2
T482.D25X1001	25x10	15	3	0,8-2	1,5
T482.D25X1501	25x15	17	3	1-2,5	2,5
T482.D25X2001	25x20	15	3	1-3	3
T482.D30X1001	30x10	17	5	1-2	2
T482.D30X1501	30x15	17	5	1-2,5	3
T482.D30X2001	30x20	17	5	1-3	3,5
T482.D35X1001	35x10	17	5	1-2	3
T482.D35X2001	35x20	17	5	1-2,5	4
T482.D35X2501	35x25	17	5	1-3	5
T482.D35X3001	35x30	17	5	1-1,5	6
T482.D40X1501	40x15	17	5	1-1,5	3,5
T482.D40X2001	40x20	17	5	1-2,5	4,5
T482.D40X2501	40x25	17	5	1-3	5
T482.D40X3001	40x30	17	5	1-3	7
T482.D40X3501	40x35	17	5	1-3	7
T482.D45X1501	45x15	17	5	1,5-2	3,5
T482.D45X2001	45x20	17	5	1-3	5
T482.D45X2501	45x25	17	5	1-3	5,5
T482.D45X3001	45x30	17	5	1-2,5	6
T482.D45X3501	45x35	17	5	1-3,5	6
T482.D50X2001	50x20	20	5	1-3	6
T482.D50X2501	50x25	20	5	1-3	6,5
T482.D50X3001	50x30	20	5	1-3	7,5
T482.D50X3501	50x35	20	5	1-3,5	11
T482.D50X4001	50x40	18	5	1,5-2,5	11

Art.	AxB	H	h	CxF - Tube thickness (min - max)	Weight (gr)
T482.D55X4001	55x40	20	5	1,5-4	11,5
T482.D60X2001	60x20	20	5	1-3	7,5
T482.D60X2501	60x25	20	5	1-2,5	8
T482.D60X3001	60x30	20	5	1-2,5	9,5
T482.D60X3501	60x35	20	5	1,5-3,5	12
T482.D60X4001	60x40	20	5	1-3	11,5
T482.D60X4501	60x45	20	5	1,5-4	14
T482.D60X5001	60x50	20	5	1,5-3,5	14
T482.D70X2001	70x20	24	5	1-2	12,5
T482.D70X2501	70x25	24	5	1,5-2,5	12,5
T482.D70X3001	70x30	24	5	1-2	14,5
T482.D70X3501	70x35	24	5	1,5-3,5	15
T482.D70X4001	70x40	24	5	1,5-2,5	17
T482.D80X2001	80x20	23	5	1,5-2	14
T482.D80X3001	80x30	23	5	1-2,5	12,5
T482.D80X4001	80x40	23	5	1-3	16
T482.D80X5001	80x50	23	5	2-4	22
T482.D80X6001	80x60	29	5	1,5-3,5	27
T482.D90X2001	90x20	20	5	1-2,5	12,5
T482.D90X4001	90x40	20	5	2-4	13,5
T482.D90X5001	90x50	28	6	2-4,5	17,5
T482.D90X7001	90x70	28	6	3-5,5	18,5
T482.D100X3001	100x30	20	5	1,5-3,5	17
T482.D100X4001	100x40	20	5	1,5-4	20,5
T482.D100X5001	100x50	30	6	2-4,5	37
T482.D100X6001	100x60	30	6	2,5-4,5	33
T482.D100X8001	100x80	26	7	3-5,5	35



BOTECA

ART. T481

SQUARE TUBE INSERT

MATERIAL:

Square head with ribbed insert in Polyethylene (LDPE).

SURFACE:

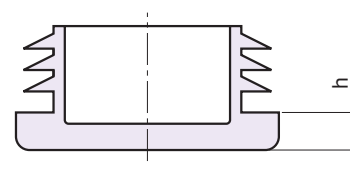
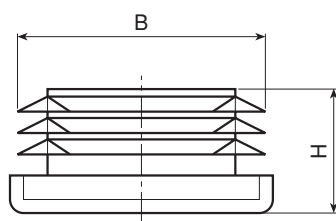
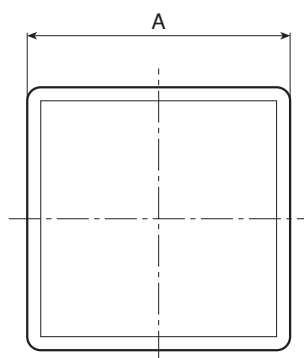
Satin.

COLOUR:

Black (RAL 9011).

SPECIAL REQUESTS:

- None.



Art.	A	H	h	B - Tube thickness (min - max)	Weight (gr)
T481010.D01	10	16	4	1-2	1
T481012.D01	12	16	4	1-2	1
T481013.D01	13	16	4	1-2	1
T481015.D01	15	17	4	1-2	1
T481016.D01	16	17	5	1-2,5	1,5
T481018.D01	18	17	5	1,5-3	2
T481020.D01	20	17	5	1-3	2,5
T481022.D01	22	17	5	1-3,5	2,5
T481025.D01	25	17	5	1-3	3,5
T481028.D01	28	17	5	1-3	4
T481030.D01	30	17	5	1-2,5	4,5
T481032.D01	32	17	5	1-3,5	6
T481034.D01	34	20	5	1-3	6
T481035.D01	35	20	5	1-3	6
T481038.D01	38	20	5	1-3,5	7,5
T481040.D01	40	20	5	1-3	8
T481045.D01	45	20	5	1-3	9
T481050.D01	50	20	5	1-2,5	11
T481055.D01	55	20	5	2-4,5	12,5
T481060.D01	60	29	5	1,5-3,5	19
T481065.D01	65	26	5	2-4,5	23,5
T481070.D01	70	24	5	2-5	25
T481075.D01	75	27	6	2-4,5	26,5
T481080.D01	80	27	6	2-4	28
T481090.D01	90	31	6	3-5	47,5
T481095.D01	95	28	6	3,5-5,5	52
T481100.D01	100	31	7	1-4	51,5



BOTECA

ART. T252

PANEL PUSHER

MATERIAL:

Reinforced polyamide.
Oils and greases resistant.

SURFACE:

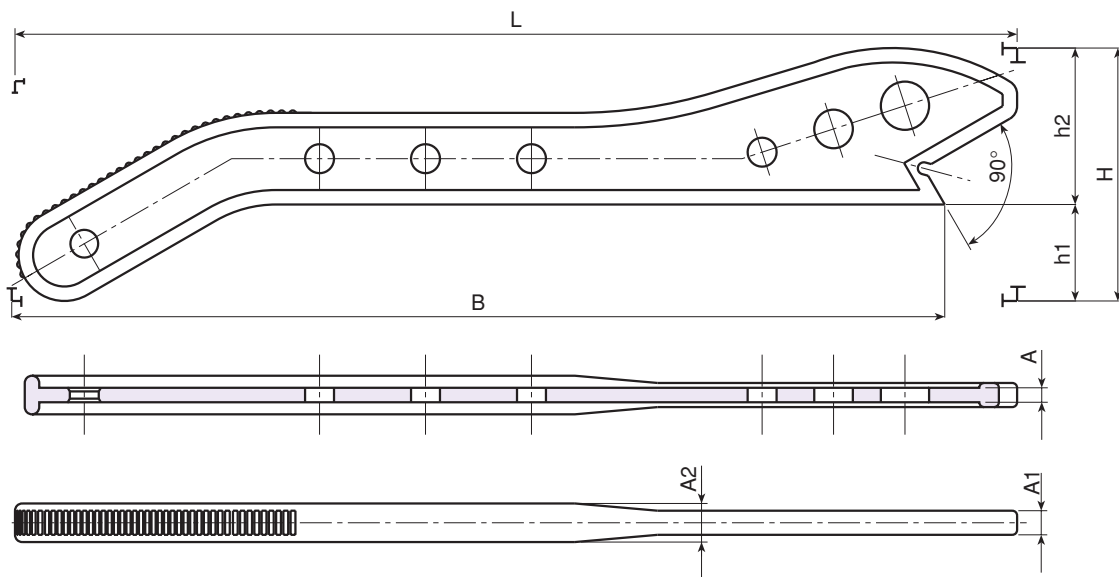
Satin.

COLOUR:

Black (RAL 9011) - 01.
Orange (RAL 2004) - 02.
Yellow (RAL 1007) - 09.

SPECIAL REQUESTS:

- None.
- Product complies with Directive 98/37/EC Annex 1.
- Product complies with UNI EN 1870-1 standard.



Art.	L	B	H	h1	h2	A	A1	A2	Weight (gr)
T252420.T01	415	386	105	40	65	6	10	16	160
T252420.T02	415	386	105	40	65	6	10	16	160
T252420.T09	415	386	105	40	65	6	10	16	160

ART. T253

PANEL PUSHER HOLDER

MATERIAL:

Reinforced polyamide.
Oils and greases resistant.

SURFACE:

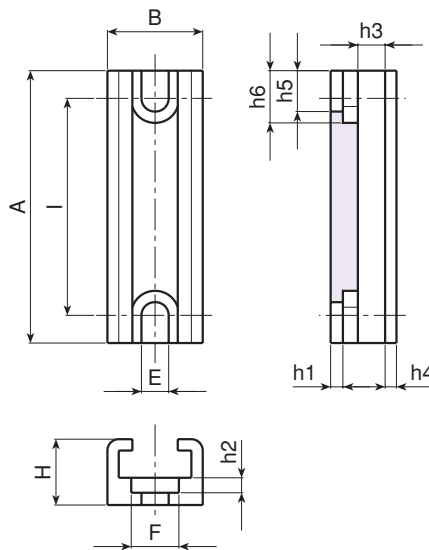
Satin.

COLOUR:

Black (RAL 9011).

SPECIAL REQUESTS:

- None.



Art.	A	B	H	I	E	F	h1	h2	h3	h4	h5	h6	Weight (gr)
T25360.T01	60	21,5	14,5	48	6,5	10,5	2,7	3,3	6	2,5	9	11,5	13



ART. T710

RING NUT WITH HANDLE

MATERIAL:

Reinforced polyamide.
Oils and greases resistant.

SURFACE:

Satin.

COLOUR:

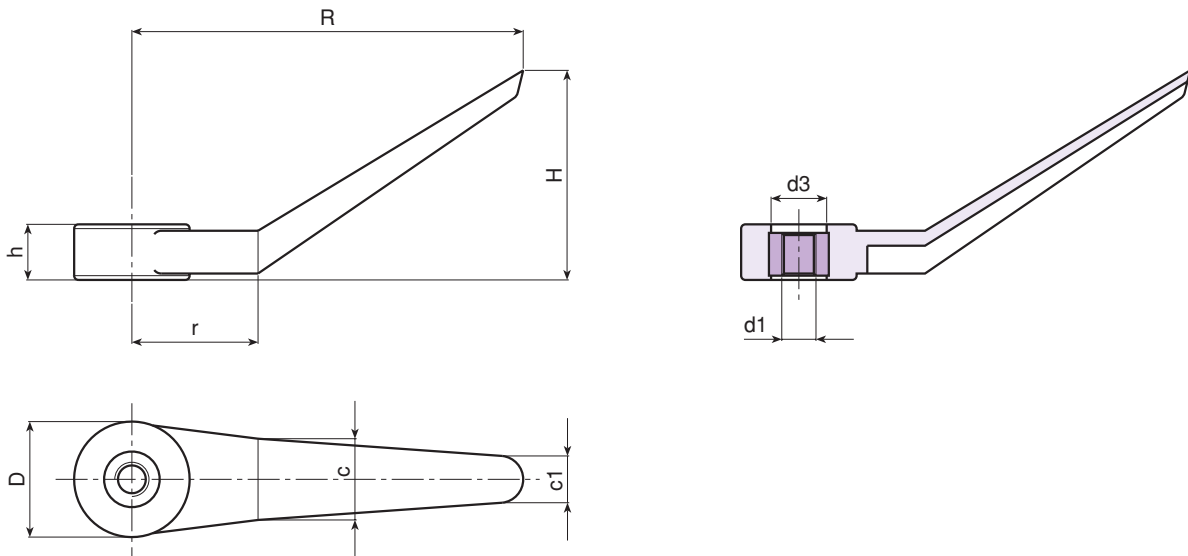
Black (RAL 9011).

MAIN INSERT:

Zinc plated steel right through threaded bush.

SPECIAL REQUESTS:

- It is possible to supply the inserts in different materials, on request and for quantities.
- It is possible to supply colours as shown in the table at page 29, on request and for quantities.



Art.	R	D	H	h	r	c	c1	d3	d1	Weight (gr)
T71090.TM0801	90	27	48	14	29	19	12	13,5	M08	27
T71090.TM1001	90	27	48	14	29	19	12	13,5	M10	26
T71090.TM1201	90	27	48	14	29	19	12	13,5	M12	28

ART. T808

ECCENTRIC DOOR LOCK CAM

MATERIAL:

Reinforced polyamide.
Oils and greases resistant.

SURFACE:

Satin.

COLOUR:

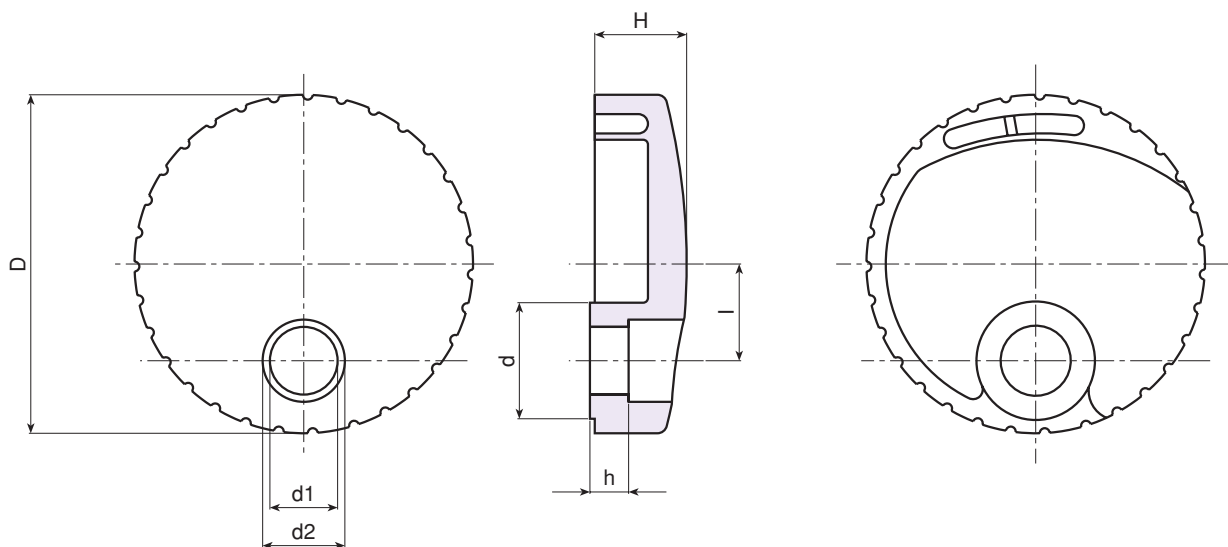
Black (RAL 9011).

HOLE:

Smooth right through hole obtained by moulding the plastic.

SPECIAL REQUESTS:

- It is possible to supply colours as shown in the table at page 29, on request and for quantities.



Art.	D	H	l	h	d	d1	d2	Weight (gr)
T808L.T01	70	20	20	8	24	14,5	17	42



ART. T251

PANEL PRESSER

MATERIAL:

Reinforced polyamide.
Oils and greases resistant.

SURFACE:

Satin.

COLOUR:

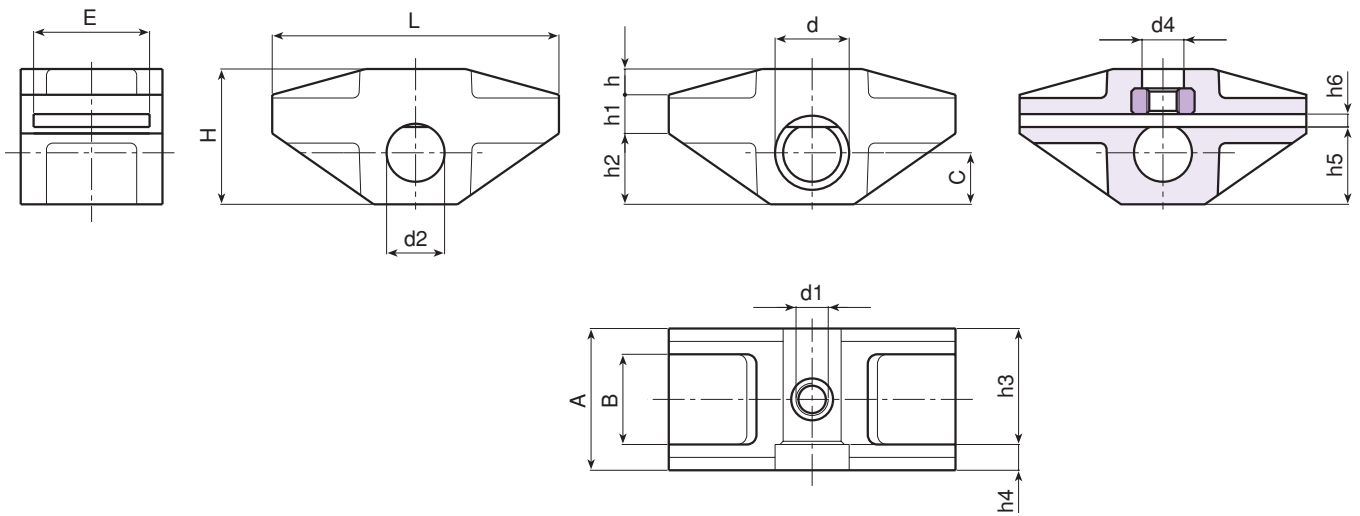
Black (RAL 9011).

MAIN INSERT:

Zinc plated steel nut DIN 934/UNI 5588.

SPECIAL REQUESTS:

- None.



Art.	L	H	A	B	C	E	d	d2	d4	h	h1	h2	h3	h4	h5	h6	d1	Weight (gr)
T25190.TM1001	89	42	44	29	16	36	23	18	13,5	10	12	20	35	9	24,5	3	M10	100



BOTECA

ART. R809

BAR STOP

MATERIAL:

Reinforced polyamide.
Oils and greases resistant.

SURFACE:

Satin.

COLOUR:

Black (RAL 9011).

HOLE:

Smooth right through hole obtained by moulding the plastic.

MAIN INSERT:

(1) Zinc plated steel nut DIN 934/UNI 5588.

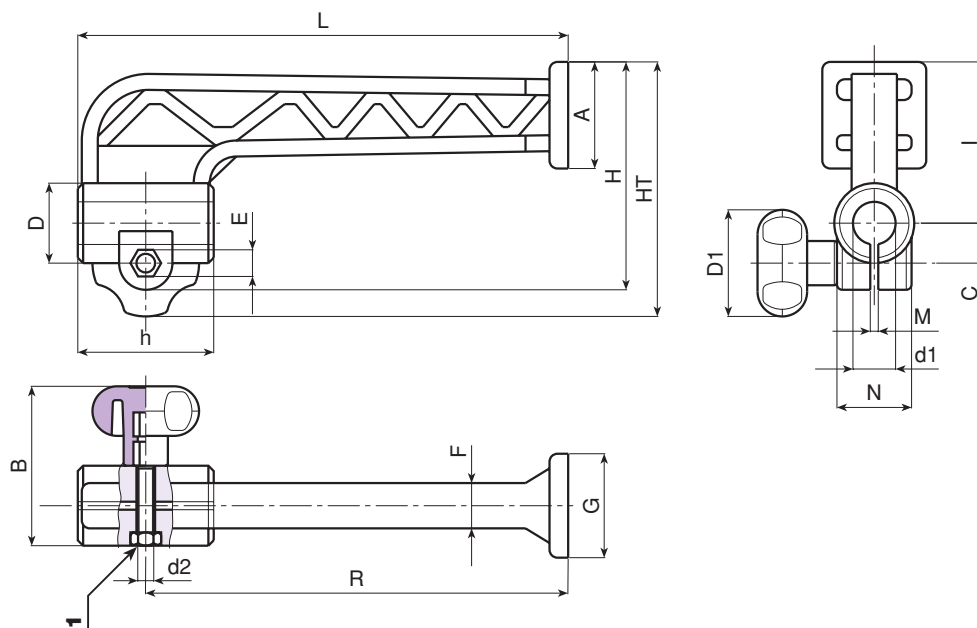
LOCKING HANDWHEEL:

R809-130: art. G732-30 M6x25.

R809-158: art. G732-40 M6x30.

SPECIAL REQUESTS:

- None.



Art.	R	L	H	HT	D	D1	A	B	C	E	F	G	I	M	N	h	d1	d2	Weight (gr)
R809130.TD1201	132	150	85	90	25	30	25	46	12	10	14	24	63	2,5	23	37	12	M06	72
R809130.TD1301	132	150	85	90	25	30	25	46	12	10	14	24	63	2,5	23	37	13	M06	70
R809130.TD1601	132	150	85	90	25	30	25	46	12	10	14	24	63	2,5	23	37	16	M06	67
R809158.TD1601	158	185	95	105	29	40	39	57	15	10	17	38	70	2,5	27	50	16	M06	130
R809158.TD2001	158	185	95	105	29	40	39	57	15	10	17	38	70	2,5	27	50	16	M06	123



BOTECA

ART. R530

LARGE 4 WAY TERMINAL BLOCK

MATERIAL:

Impact resistant and self-extinguishing Polystyrene.

SURFACE:

Glossy.

COLOUR:

Black (RAL 9011).

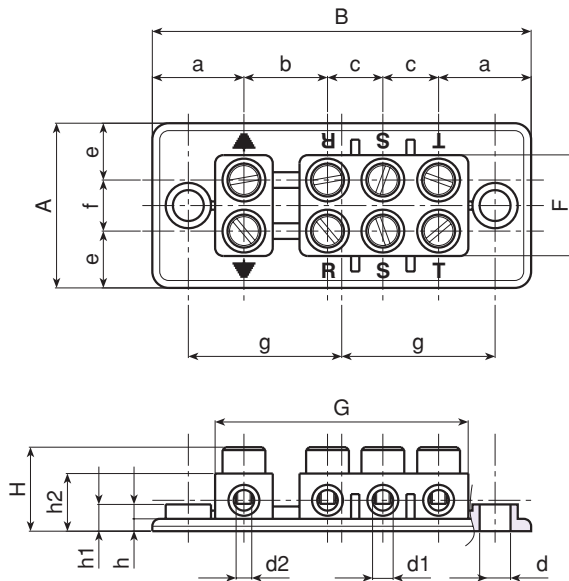
MAIN INSERTS:

Brass threaded through hole insert.

Yellow passivated steel screw M4x10 DIN 84.

SPECIAL REQUESTS:

- None.



Art.	A	B	H	F	G	a	b	c	e	f	g	h	h1	h2	d	d1	d2	Weight (gr)
R53091.P01	40	92	20	25	61	22	20	13,5	14	12,5	37	3	6,5	15	7	5	M04	70



ART. R531

TERMINAL BLOCK COVER

MATERIAL:

Impact resistant and self-extinguishing Polystyrene.

SURFACE:

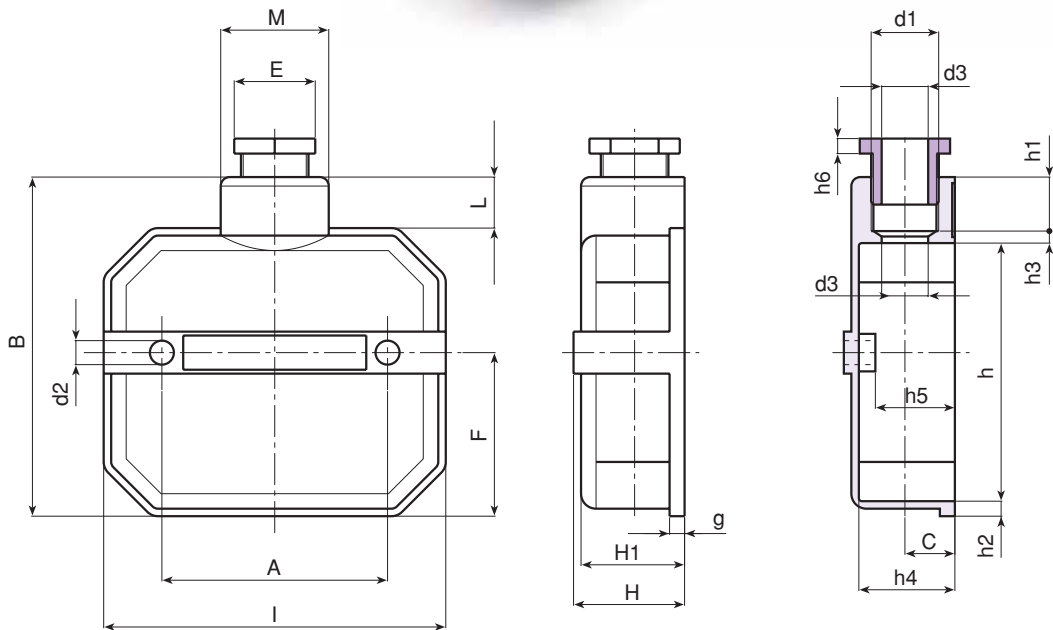
Glossy.

COLOUR:

Black (RAL 9011).

SPECIAL REQUESTS:

- None.



Art.	A	B	H	I	C	E	F	L	M	H1	d1
R531114PG16.P01	114	114	37	75,5	16,5	27	54,5	17	35,5	35	PG16

Art.	d2	d3	h	h1	h2	h3	h4	h5	h6	g	Weight (gr)
R531114PG16.P01	8	15,5	86	4	5	18	31	25,5	5	4,5	77



BOTECA

ART. R534

5 WAY TERMINAL BLOCK

MATERIAL:

Impact resistant and self-extinguishing Polystyrene.

SURFACE:

Glossy.

COLOUR:

Black (RAL 9011).

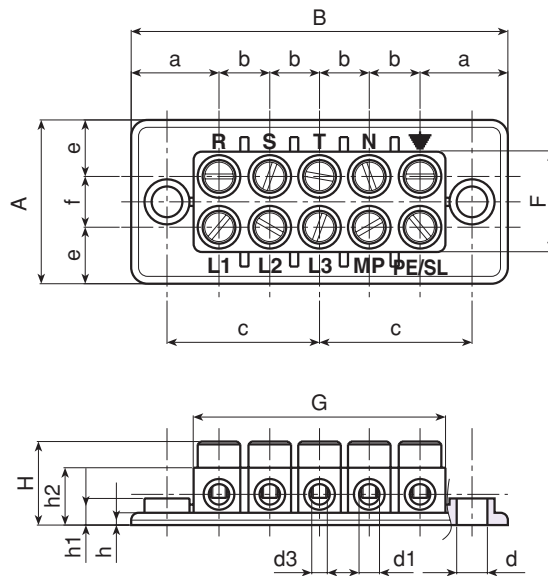
MAIN INSERTS:

Brass threaded through hole insert.

Yellow passivated steel screw M4x10 DIN 84.

SPECIAL REQUESTS:

- None.



Art.	A	B	H	F	G	a	b	c	e	f	h	h1	h2	d	d1	d3	Weight (gr)
R53491.P01	40	92	20	25	61	21,5	12,5	37	14	12,5	3	7	15	7	5	M04	83



BOTECA

ART. R535

TERMINAL BLOCK COVER WITH MOUNTING PLATE AND GASKET AND CABLE ENTRY PG16

MATERIAL:

(1-2-4) Impact resistant and self-extinguishing Polystyrene.

(3-5) Thermoplastic rubber 75 Shore.

SURFACE:

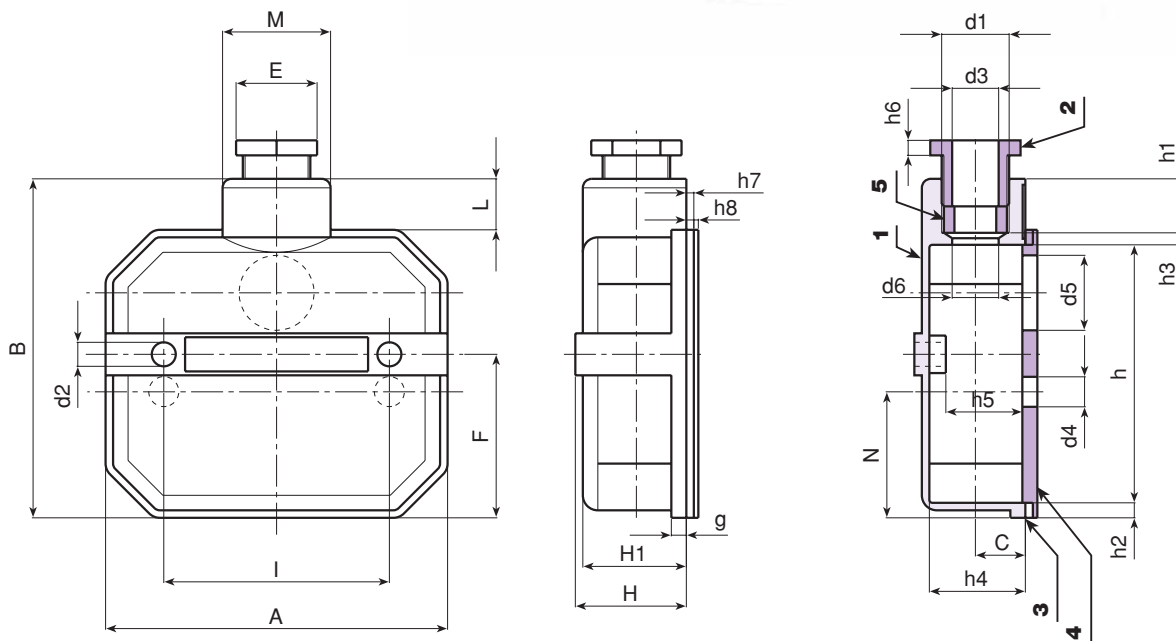
Glossy.

COLOUR:

Black (RAL 9011).

SPECIAL REQUESTS:

- None.



Art.	A	B	H	I	C	E	F	L	M	N	H1	d1	d2	d3	d4
R535114.PG16P01	114	114	37	75,5	16,5	27	54,5	17	35,5	42	35	PG16	8	18	9,5

Art.	d5	g	d6	h	h3	h2	h1	h4	h5	h6	h7	h8	g	Weight (gr)
R535114.PG16P01	25	4,5	18	86	4	5	18	31	27	5	2,5	1,5	4,5	112



BOTECA

ART. R532

SMALL 4 WAY TERMINAL BLOCK

MATERIAL:

Impact resistant and self-extinguishing Polystyrene.

SURFACE:

Glossy.

COLOUR:

Black (RAL 9011).

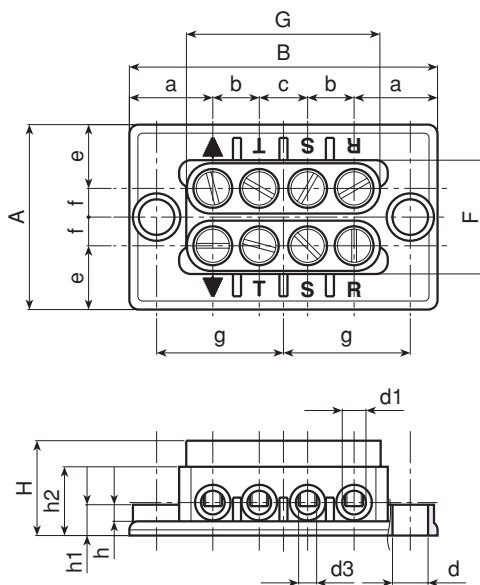
MAIN INSERTS:

Brass threaded through hole insert.

Yellow passivated steel screw M4x10 DIN 84.

SPECIAL REQUESTS:

- None.



Art.	A	B	H	F	G	a	b	c	e	f	g	h	h1	h2	d	d1	d3	Weight (gr)
R53265.P01	39	65	20	25	44	17,5	9,7	10,3	13,5	12	27	6	7	14,5	7	5	M04	62



BOTECA

ART. R533

SMALL TERMINAL BLOCK COVER WITH CABLE ENTRY

MATERIAL:

Impact resistant and self-extinguishing Polystyrene.

SURFACE:

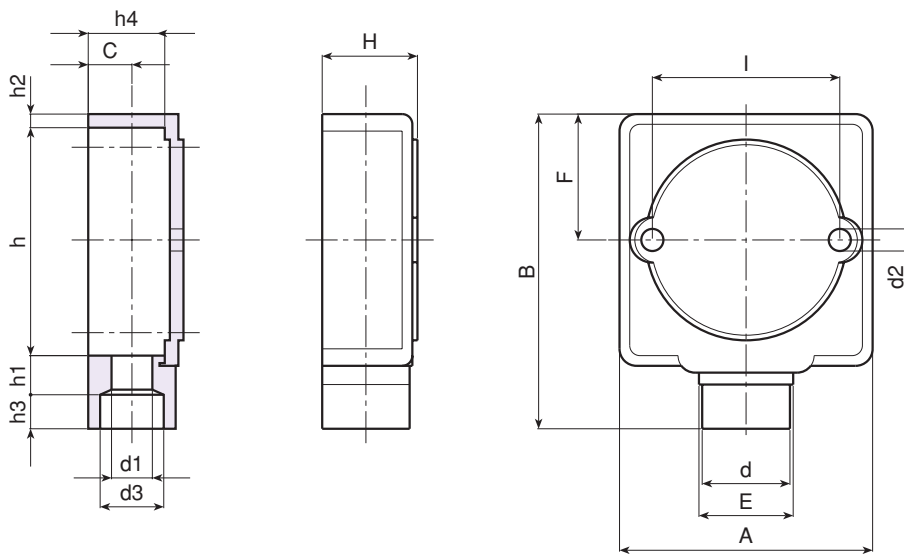
Glossy.

COLOUR:

Black (RAL 9011).

SPECIAL REQUESTS:

- None.



Art.	A	B	H	I	C	E	F	d	d1	d2	d3	h	h1	h2	h3	h4	Weight (gr)
R53376.P01	75	92	29	53	13	28	37	26	12,5	6,5	19	67	11,5	4	10	23	57



BOTECA

ART. R536

SMALL TERMINAL BLOCK COVER WITH 2 DIAGONAL FIXING HOLES AND CABLE ENTRY

MATERIAL:

Impact resistant and self-extinguishing Polystyrene.

SURFACE:

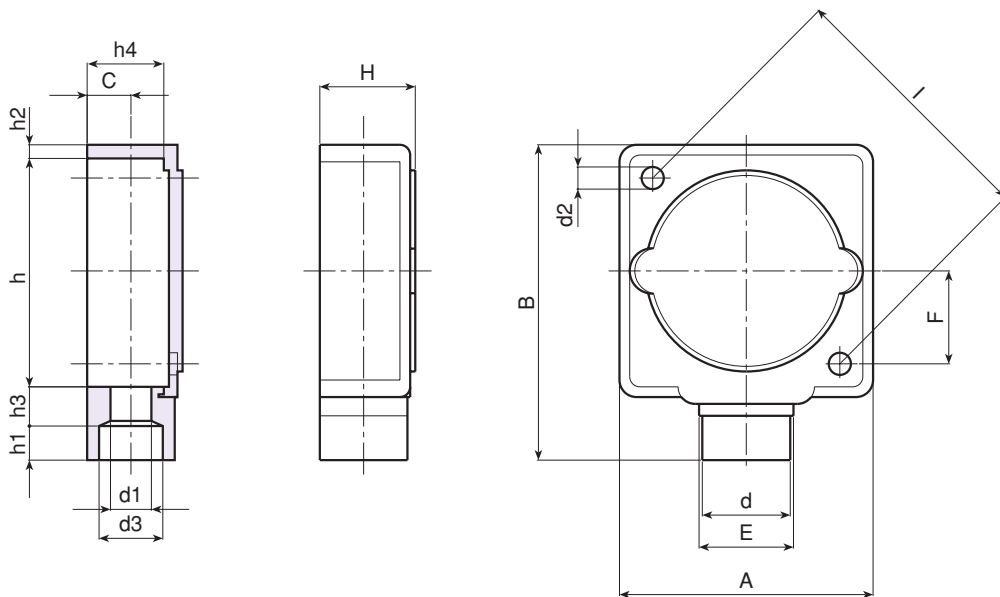
Glossy.

COLOUR:

Black (RAL 9011).

SPECIAL REQUESTS:

- None.



Art.	A	B	H	I	C	E	F	d	d1	d2	d3	h	h1	h2	h3	h4	Weight (gr)
R53676.P01	75	92	29	78	13	28	27	26	12,5	6,5	19	65	11,5	4	10	23	47



BOTECA

ART. R537

COMPLETE "SEALED" 5 WAY TERMINAL BLOCK

MATERIAL:

(1-3) Impact resistant and self-extinguishing Polystyrene.

SURFACE:

Glossy.

COLOUR:

Black (RAL 9011).

MAIN INSERTS:

Brass threaded through hole insert.

(4) Self-tapping galvanised screw 4.2x22 DIN 7981/UNI 6954.

(2) Thermoplastic rubber 75 Shore.

(5) Zinc-plated steel screws M4x10 DIN 84.

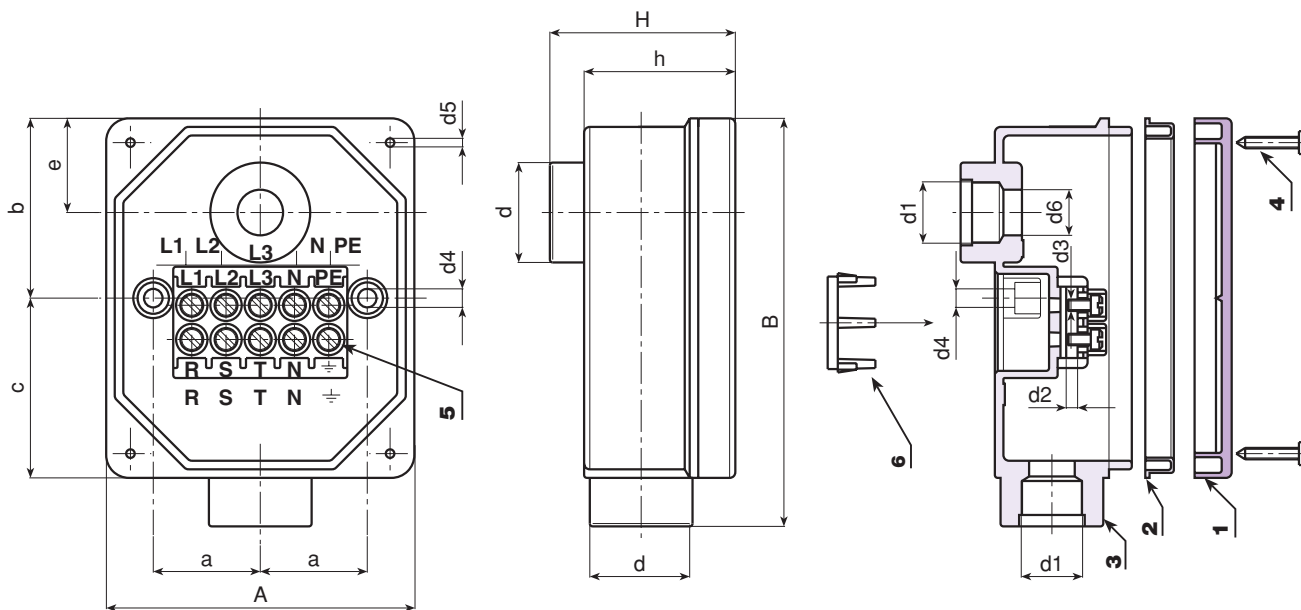
(6) Rear terminal block cover.

DEGREE OF PROTECTION:

IP54.

SPECIAL REQUESTS:

- Manufactured in accordance with the new CEI standard EN 50262 (20-57)



Art.	A	B	H	h	d	a	b	c	e	d1	d2	d3	d4	d5	d6	Weight (gr)
R537126M20.P01	108	144	67	53	35,5	38	63	29,5	33	M20x1,5	5	M04	6,5	3,5	17,5	312
R537126M25.P01(*)	108	144	67	53	35,5	38	63	29,5	33	M20x1,5	5	M04	6,5	3,5	17,5	308

(*) Clampable cable section: 2.5 mm² three-pole (220V) – 1.5 mm² five-pole (380V)



BOTECA

ART. R552

SPINDLE GUARD

MATERIAL:

Reinforced polyamide.
Oils and greases resistant.

SURFACE:

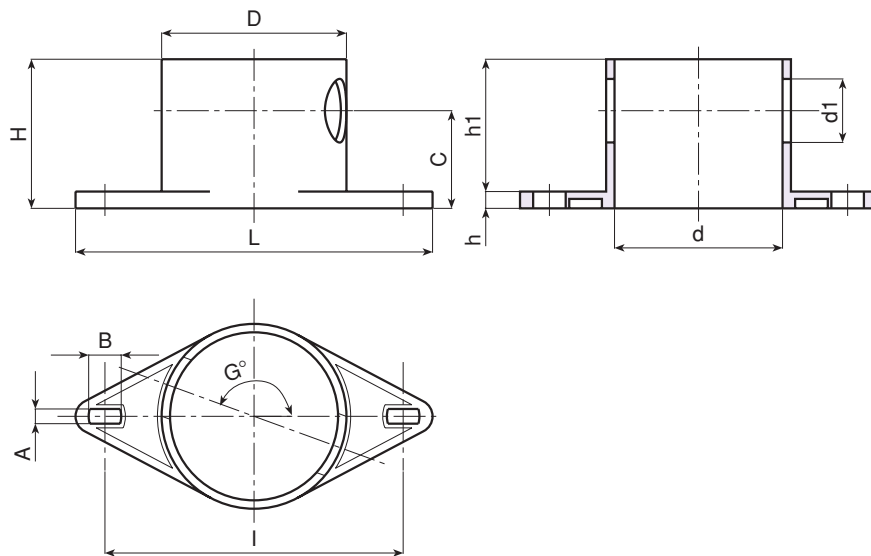
Glossy.

COLOUR:

Black (RAL 9011).

SPECIAL REQUESTS:

- None.



Art.	H	D	d	L	I	A	B	G	C	h	h1	d1	Weight (gr)
R552170.T01	71	88	80	170	142	7	15	20	46,5	8	63	30	104



BOTECA

ART. R555

SPINDLE GUARD WITHOUT SIDE HOLES

MATERIAL:

Impact resistant Polystyrene.

SURFACE:

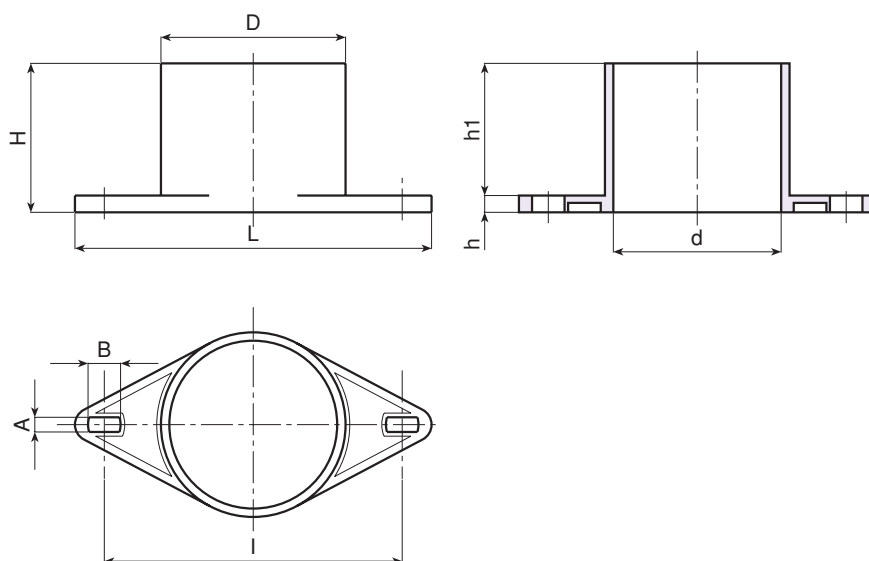
Glossy.

COLOUR:

Black (RAL 9011).

SPECIAL REQUESTS:

- None.



Art.	H	D	d	L	l	A	B	h	h1	Weight (gr)
R555170.P01	71	88	80	170	142	7	15	8	63	100



ART. R553 CH

SPINDLE GUARD CLOSED

MATERIAL:

Reinforced polyamide.
Oils and greases resistant.

SURFACE:

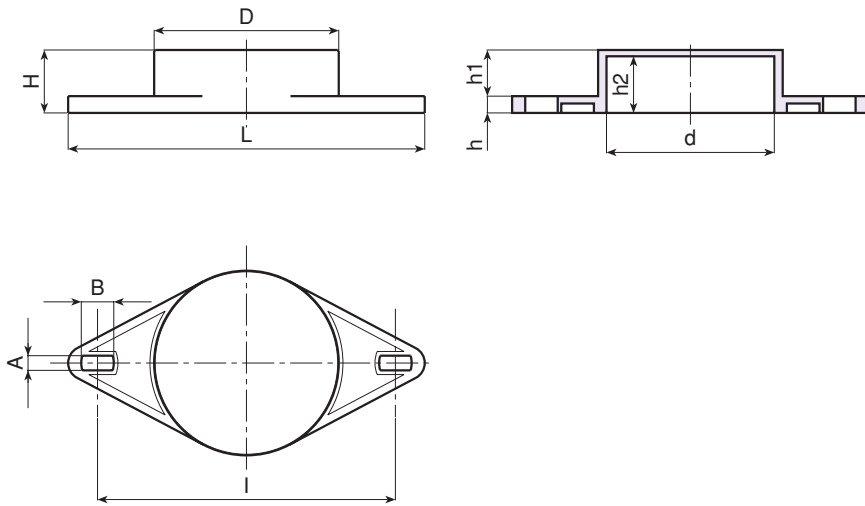
Glossy.

COLOUR:

Black (RAL 9011).

SPECIAL REQUESTS:

- None.



Art.	H	D	d	L	l	A	B	h	h1	h2	Weight (gr)
R553170CH.T01	30	88	80	170	142	7	15	8	20	27	78

ART. R553 AP

SPINDLE GUARD OPEN

MATERIAL:

Reinforced polyamide.
Oils and greases resistant.

SURFACE:

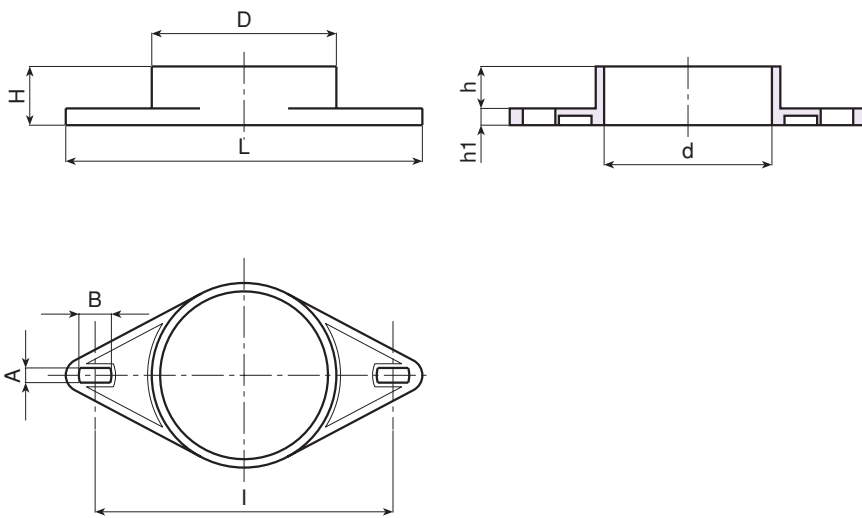
Glossy.

COLOUR:

Black (RAL 9011).

SPECIAL REQUESTS:

- None.



Art.	H	D	d	L	l	A	B	h	h1	Weight (gr)
R553170AP.T01	28	88	80	170	142	7	15	8	20	50



ART. R554

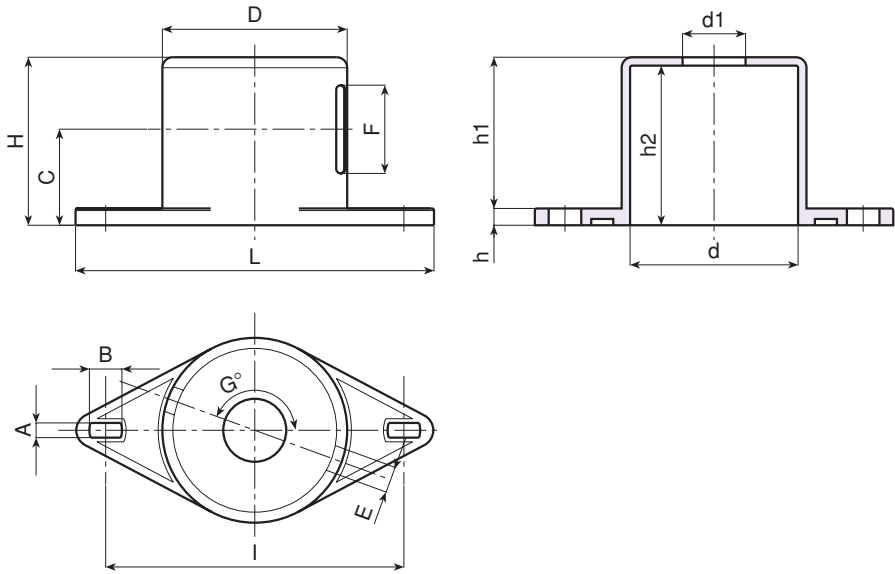
WESCOT SPINDLE GUARD

MATERIAL:
Impact resistant Polystyrene.

SURFACE:
Glossy.

COLOUR:
Black (RAL 9011).

SPECIAL REQUESTS:
• None.



Art.	H	D	d	L	I	A	B	E	F	G	C	h	h1	h2	d1	Weight (gr)
R554170.T01	80	88	80	170	142	7	15	12,5	42	20	46	8	72	76	30	125

ART. T815

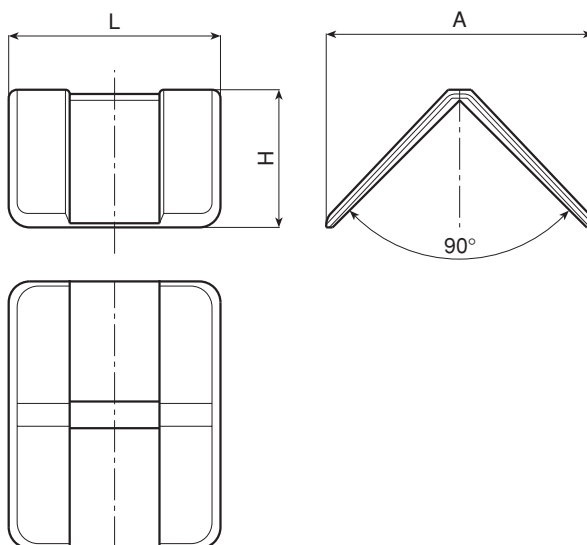
CORNER PROTECTORS

MATERIAL:
Polyethylene.

SURFACE:
Satin.

COLOUR:
Black (RAL 9011).

SPECIAL REQUESTS:
• None.



Art.	L	A	H	Weight (gr)
T815.T01	60	49	32	10



BOTECA

ART. R551

PLANE GUARD

MATERIAL:

Impact resistant Polystyrene.

SURFACE:

Satin.

COLOUR:

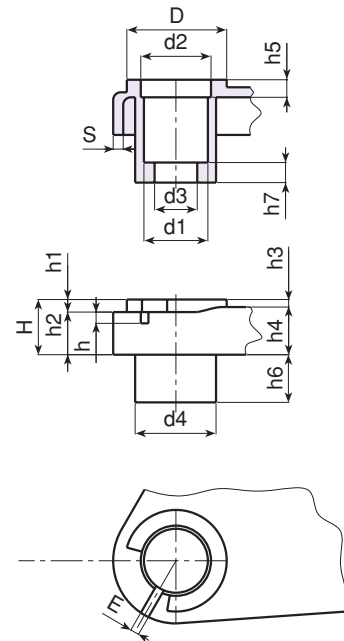
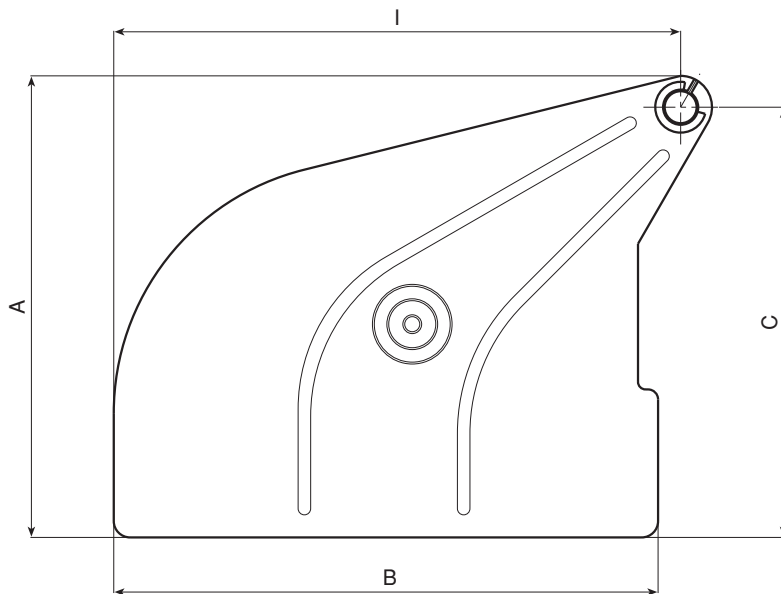
Orange (RAL 2004).

HOLE:

Smooth right through hole obtained by moulding the plastic.

SPECIAL REQUESTS:

- None.



Art.	A	B	C	I	D	E	S	H	h	h1	h2	h3	h4	h5	h6	h7	d1	d2	d3	d4	Weight	
R551300.P02	265	314	235	340	41	3	2,5	23	7	4	19	4	19	11	18	8,5	25	28	16,5	30,5	310	
R551315.P0	221	265	314	235	340	41	3	2,5	23	7	4	19	4	19	11	-	-	25	28	-	-	385
R551395.P0	280	282	356	253	372	41	3	2,5	23	4,5	5	18	4	19,5	8	18	9	25	28	16,5	30,5	375
R551355.P0	280	282	356	253	372	41	3	2,5	23	4,5	5	18	4	19,5	8	-	-	25	28	-	-	365
R551450.P0	370	436	344	452	41	3	2,5	22	4,5	5	17	3	19	7	-	-	25	28	-	-	660	



BOTECA

ART. T556

CIRCULAR SAW GUARD

MATERIAL:

(1-2) Polycarbonate.

SURFACE:

Satin.

COLOUR:

Orange (RAL 2004).

MAIN INSERTS:

(3) Aluminium rivet AL4.010 4,0x10.

(4) Brass threaded through insert.

(5) Yellow passivated steel washer.

(6) Spring pin d.6x30in black oxide treated highyield steel DIN 1481.

(7) Self-tapping brass screw M3x10 DIN 97.

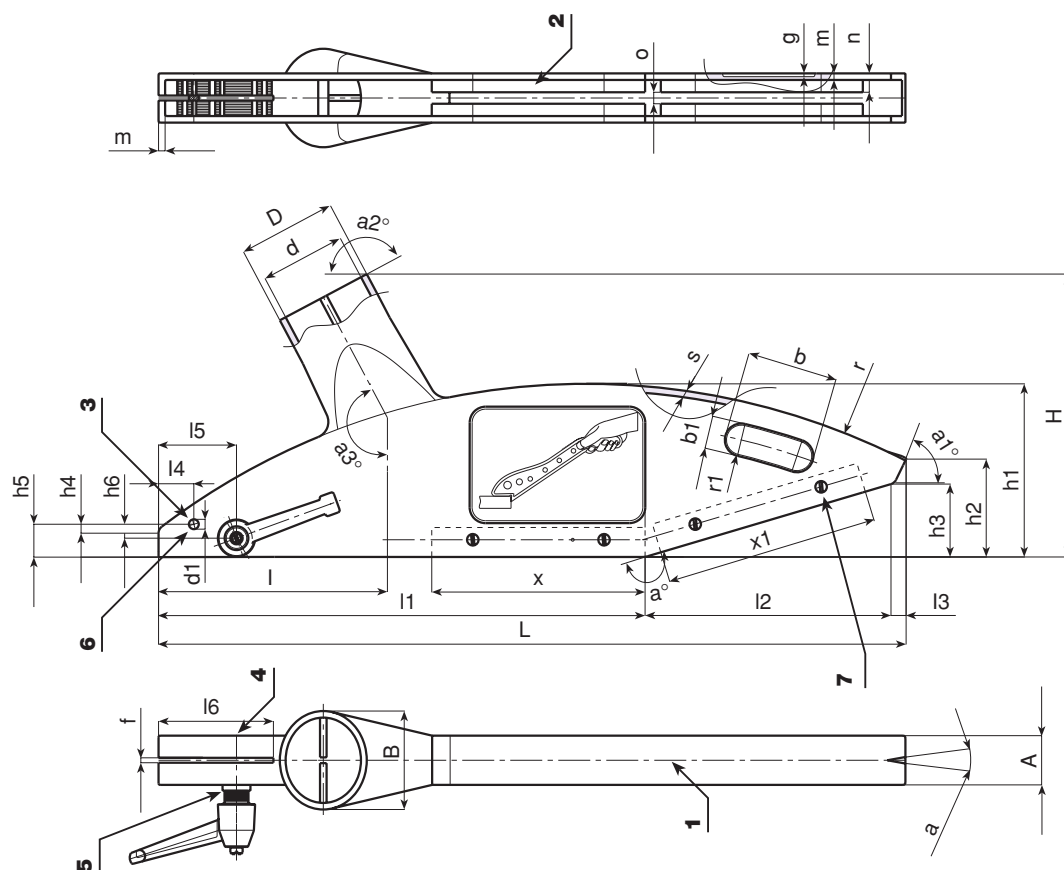
LOCKING LEVER:

Indexed clamping lever art. A523-065 M8x30.

SPECIAL REQUESTS:

- It is possible to supply the guard in yellow (RAL 1007), on request and for quantities.
- Suction tube adapter D. 40 art. T556040. T01

- Product complies with Directive 98/37/EC Annex 1.
- Product complies with UNI EN 1870-1 standard.



BOTECO

ART. T55604001



T556 + T55604001

Art.	L	A	B	H	D	d	d1	l	l1	l2	l3	l4	l5	l6	h1	h2	h3	h4	h5	h6
T556250.C03	315	30	60	147	60	53	6,5	80	245	62	8	10	23,5	42	74	37	24	23	20	10,5
T556300.C03	457	30	60	172	60	53	6,5	145	297	150	10	21,5	47,5	70	105	60	44,5	14,5	20	8

Art.	a	a1	a2	a3	b	b1	f	g	m	n	o	r	r1	s	x	x1	Weight (gr)
T556250.C03	20	60	152	152	44	20,5	4	2	5,5	7	7	290	10	4	-	170	400
T556300.C03	16	64	152	152	56	21	3	2	4	7	7	430	10	4	130	130	600

















T556-250 = For saws with 250 mm maximum diameter










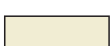


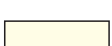

T556-300 = For saws with 300 mm maximum diameter



BOTECA

COLOUR CHART

R A L			
COLOUR		RAL	CODE
Black		9011	01
Orange		2004	02
Orange		2011	03
White		9010	04
Blue		5002	05
Blue		5005	06
Blue		5015	07
Blue		5018	19
Blue		5019	21
Blue		5010	22
Yellow		1007	09
Yellow		1021	10
Grey		7024	12
Grey		7035	13
Red		3000	16
Green		6024	17

O T H E R C O L O U R S			
COLOUR		REF.	CODE
White		-	52
Blue		-	53
Blue		pant. 645 U	54
Blue		pant. 300	55
Grey		-	57
Grey		-	59
Grey		NCS 7500	60
Red		-	64
Red		-	65
Natural		-	66
Green		-	70
Brown		-	71
Cream		-	72
Violet		-	73





BOTECO Spa
www.boteco.it

36010 ZANÈ (VI) ITALY - Via L. Pettinà, 16 (side street of Via Cuso)
P.O. BOX 63 36010 Zanè
Switchboard Tel. ++39-0445.316411 - Fax ++39-0445.316400
Sales Office Fax ++39-0445.316401
Administration Fax ++39-0445.316402
E-Mail: boteco@boteco.it
sales@boteco.it - administration@boteco.it
tecnico@boteco.it

AUTHORISED RESELLER

